

TimeRy Power 10 points Specifications

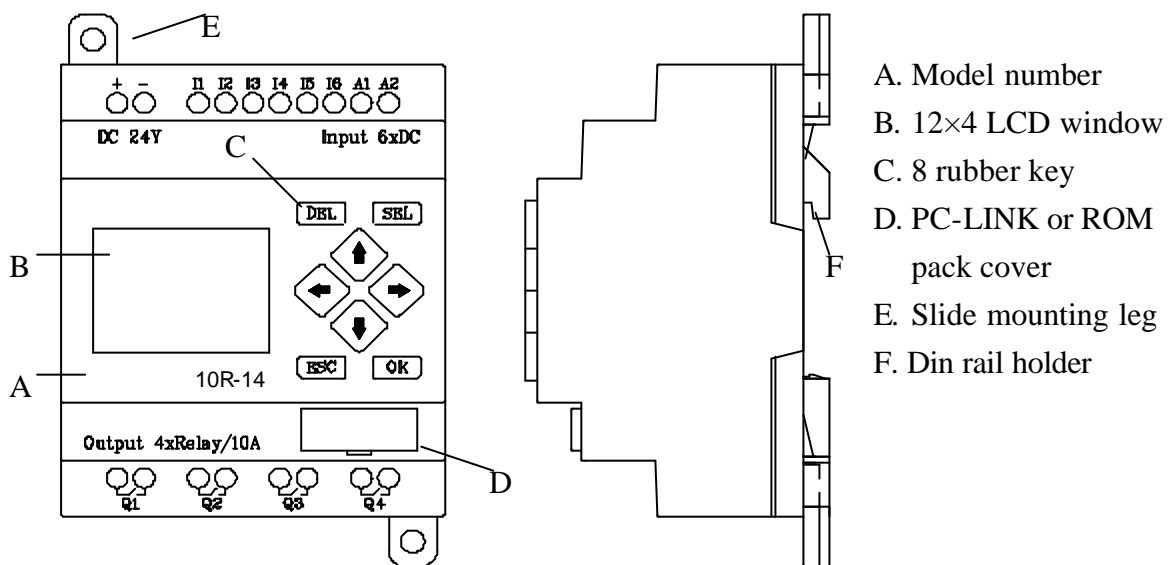
First Edition 1999-03-08

Fifth Edition 1999-12-04

1. Introduction

TimeRy Power is the new smart relay module for both AC type and DC type available, which can provide functions like timer, counter, clock, and analog input processing.

2. Outline



3. Model number classify

MODEL	INPUT	OUTPUT	POWER	RTC
NQ2P10R-14	DC24V×6	Relay 10A×4	DC24V	?
NQ2P10R-14C	DC24V×6/Analog 10V×2	Relay 10A×4	DC24V	?
NQ2P10R-52	AC100V~240V×6	Relay 10A×4	AC100V~240V	?
NQ2P10R-52C	AC100V~240V×6	Relay 10A×4	AC100V~240V	?

4. General Specifications

Item		Specification
Software logic		Ladder and function block processing
Environmental	Operation temp.	0~55?
	Storage temp.	-40~70?
	Relative humidity	20~90% RH without condensation
	Pollution degree	Pollution degree 2
	Corrosive gas resist	without corrosive gas environment
Mechanical	Vibration	IEC68-2-6 standard 0.075mm amplitude/1.0g acceleration
	Shock	IEC68-2-27 standard 15g peak, 11ms duration
Electrical	ESD	Contact ±4KV, air discharge ±8KV
	EFT	Power DC/AC: ±2KV
	CS	0.15~80MHz 10V/m
	RS	80~1000MHz 10V/m
	EMI	EN55011 class B
Installation	Protection type	IP20
	Mounting	Direct mounting or DIN rail mounting
	Direction	No limit
Connecting cables		AWG 12/? 3.5mm ²
Dimensions		72x90x52 mm(WxHxD) Din rail 72x90x57 mm(WxHxD) Direct mounting

5. Power supply and I/O specification

Item	NQ2P10R-14	NQ2P10R-14C	NQ2P10R-52 NQ2P10R-52C
Power supply Rated voltage	DC24V	DC24V	AC100~240V (50/60Hz)
Power supply Maximum range	20.4~28.8V DC	20.4~28.8V DC	85~265V AC
Input point Rated voltage	6 points DC24V	6 points DC24V	6 points AC100V~240V
Input voltage range	0~28.8V DC	0~28.8V DC	0~265V AC
Input current rating	typ. 3mA/24V	typ. 3mA/24V	typ. 1mA/230V 0.5mA/110V
ON voltage level (current)	>15V	>15V	>79V
Input delay time OFF? ON	typ. 3ms	typ. 3ms	typ. 50ms
OFF voltage level	<5V	<5V	<40V
Input delay time ON? OFF	typ. 5ms	typ. 5ms	typ. 50ms
Analog Input voltage range (accuracy)	None	0~10V (8bits resolution)	None
Output Relay Rated voltage	total:4 points 1 point: 10A/240V AC or 8A/30V DC	total:4 points 1 point: 10A/240V AC or 8A/30V DC	total:4 points 1 point: 10A/240V AC or 8A/30V DC

6. Analog Input Specification

Item	Specification
Analog input data reference (8 bits)	Input voltage DC 0~10V Convert display data 0.00~9.99
Input channel	2 channel
Input impedance	60 K Ω
Maximum permanent allowed overload (no damage)	DC 28V
Sampling duration time	Base on scan time (8ms without program)
Operating mode / type input	Self scan / common mode
Analog input error	$\pm 4\%$ (0~55?)
Type of protection	RC filter
Common point between 2 channel	DC power input ground

7. Installing/deinstalling

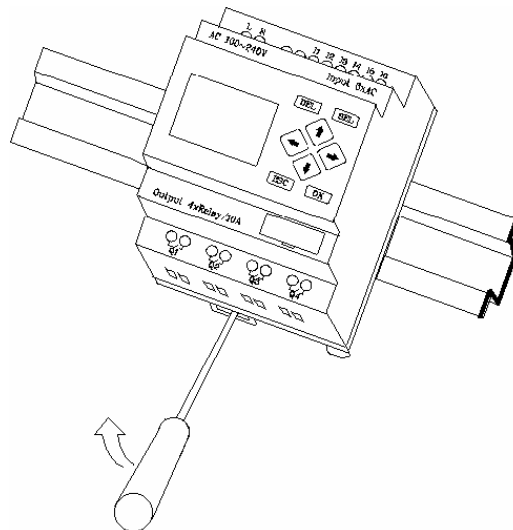
A. On a DIN rail

Install TimeRy Power on a DIN rail as follows:

1. Place TIMERY POWER on the rail.
2. Swivel it. The snap catch on the back of TIMERY POWER must fit into din-rail.

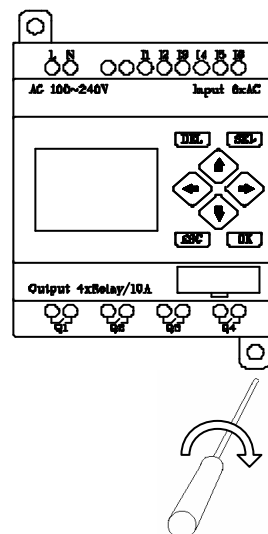
Deinstall TimeRy Power on a DIN rail as follows:

1. Insert a screwdriver in the hole shown in the picture at the lower end of the snap catch, and pull the snap catch downward.
2. Swivel TimeRy Power away from the DIN rail.



B. Direct mounting

1. Pull the slide mounting leg.
2. Place into the right position and use max. M4x12 screw to fix into the panel.



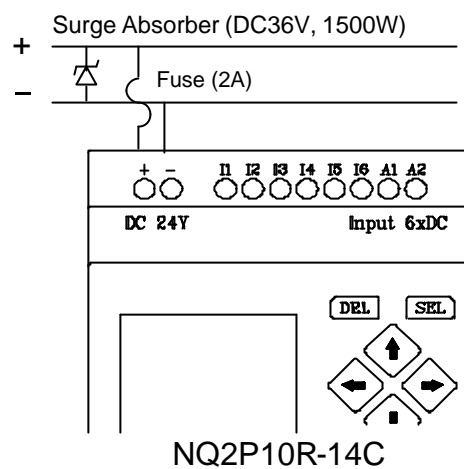
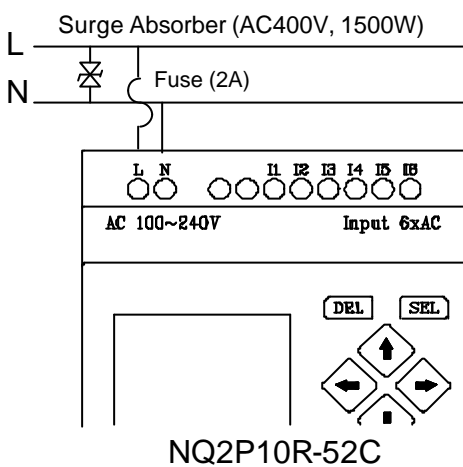
8. Wiring

TimeRy Power NQ2P10R-52 and NQ2P10R-52C are suitable for line voltages with a rating of 100V and 240V and for mains frequencies of 50Hz or 60Hz. The line voltage can be between 85V and 265V.

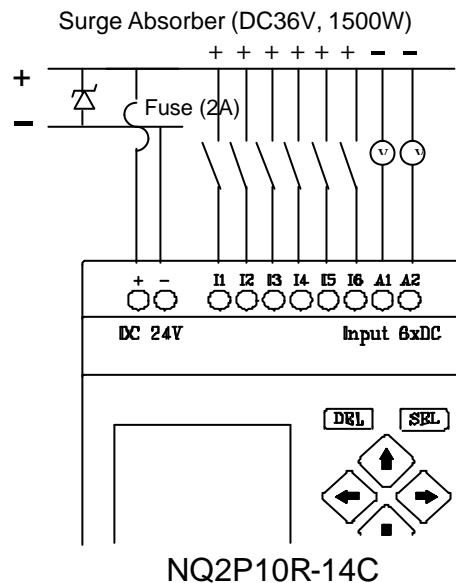
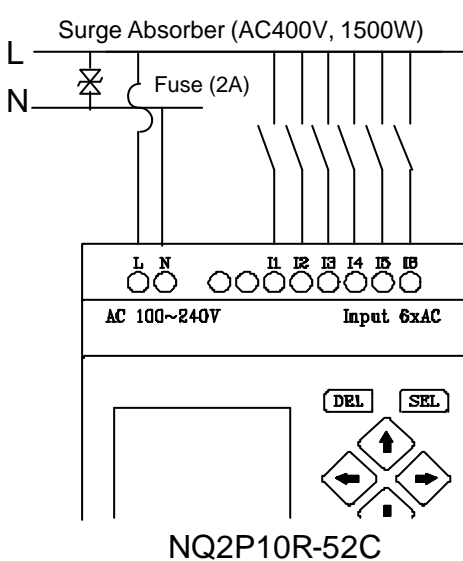
TimeRy Power NQ2P10R-14 and NQ2P10R-14C are suitable for supply voltage of 24V DC. The supply voltage can be between 20.4V and 28.8V.

Connecting

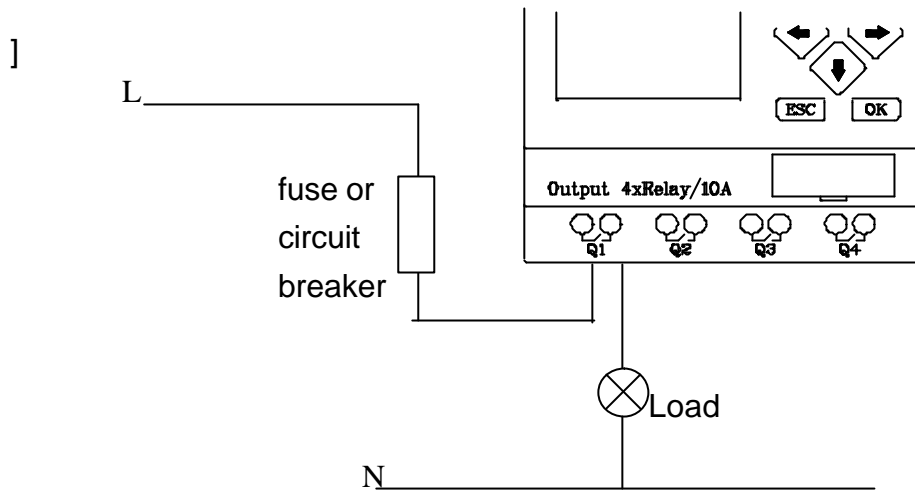
You connect TimeRy Power to mains as follow:



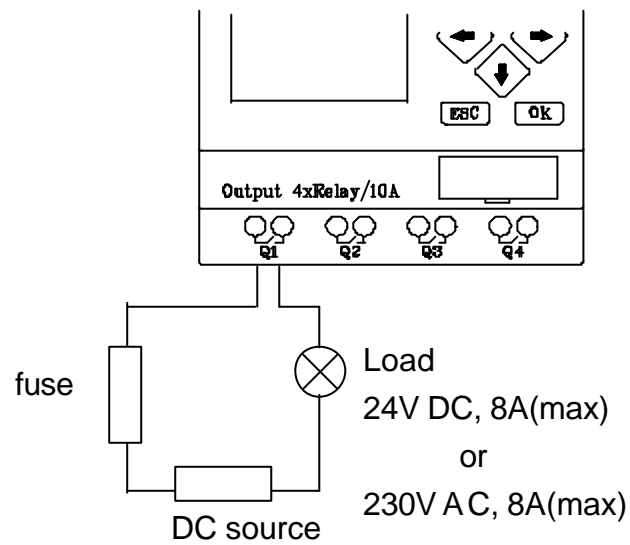
You connect the sensors to TimeRy Power as follow:



You connect the load to TimeRy Power NQ2P10R-52C as follow:



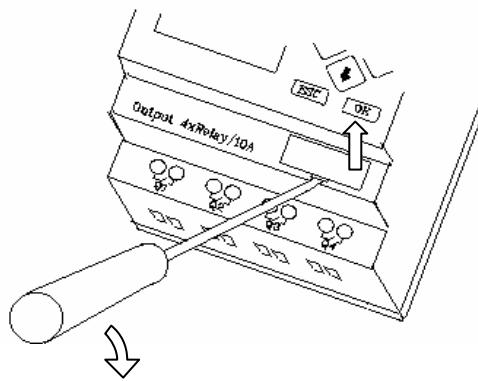
You connect the load to TimeRy Power NQ2P10R-14C as follow:



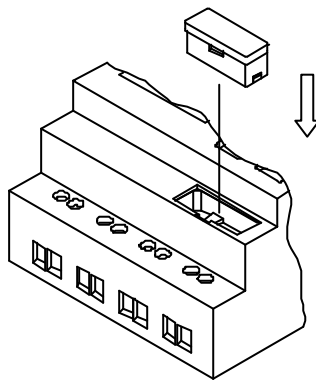
9. PC-LINK and ROM pack installation

1. Use tool to remove pack cover.
2. Insert memory pack in power off status.
3. Insert PC-LINK cable in power off status.
4. Do not touch the TimeRy Power pack connector while pack was open in power on status.

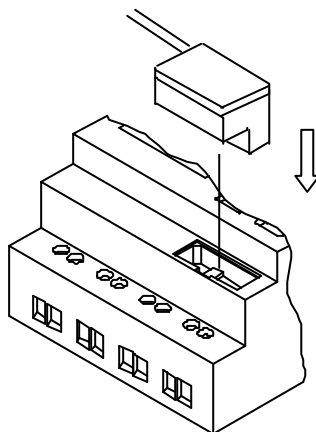
1.



2.



3.



10. Dimension

