

MANIFOLDS

DATA SHEET

M

The FUJI FCX AII/CII differential, gauge and absolute pressure transmitters can be direct mounted with different kinds of manifold, adapted for the application and the type of transmitter.

The manifolds can be delivered mounted on the transmitters or supplied separately. When supplied mounted, the complete assembly is fully pressure tested, and calibrated in the factory.

Technical information

Material :

Standard : Stainless steel 316 for manifold body and valves.

Carbon steel : for quantities of 30 or more (consult Fuji).

Upon request : body material in Monel, Duplex, Hastelloy, etc.

Bolts material : stainless steel 316.

Gasket : PTFE (standard), Grafoil, Kevlar etc upon request.

Bolting size :

M10 for static pressure 160 bar max. and gauge pressure for 100 bar max.

M12 and 7/16 - 20 UNF for 420 bar static and 500 bar gauge pressure.

Mounting :

Manifold can be mounted on the transmitter. All tests and manufacturing operations will be done with the manifold :

- pressure test (leakage test) at 1,5 x static pressure for ΔP or at overpressure rating for gauge and absolute pressure transmitters
- calibration with factory facilities

Process connection

1/2" NPT, others upon request

Pressure applications

The maximum pressure is 414 bar or 6000 psi.

Upon request, manifolds for maximum pressure 790 bar or 10000 psi can be delivered.

Code symbols

1	2	3	4	5	Manifolds
M			E		Type
*2	2				1 Valves - type HGVS8F8M-FU - SS 316
	3				2 Valves - type HDS2HLH-FU - SS316
	5				3 Valves - type HDS3DTP-FU - SS316
*4	6				3 Valves - type HDS3M-FU - SS316
	7				5 Valves - type HDS5M-FU - SS316
	8				3 Valves - type flange/flange HFS3-FU - SS316
					Bolting size/material
		0			7/16 - 20 UNF - carbon steel
		1			7/16 - 20 UNF - SS316
		2			M10 - SS316
*1		3			M12 - SS316
		4			None
					Construction
			E		Stainless steel
					Mounted on transmitter
				*3	2 Yes
					1 No - separate kit

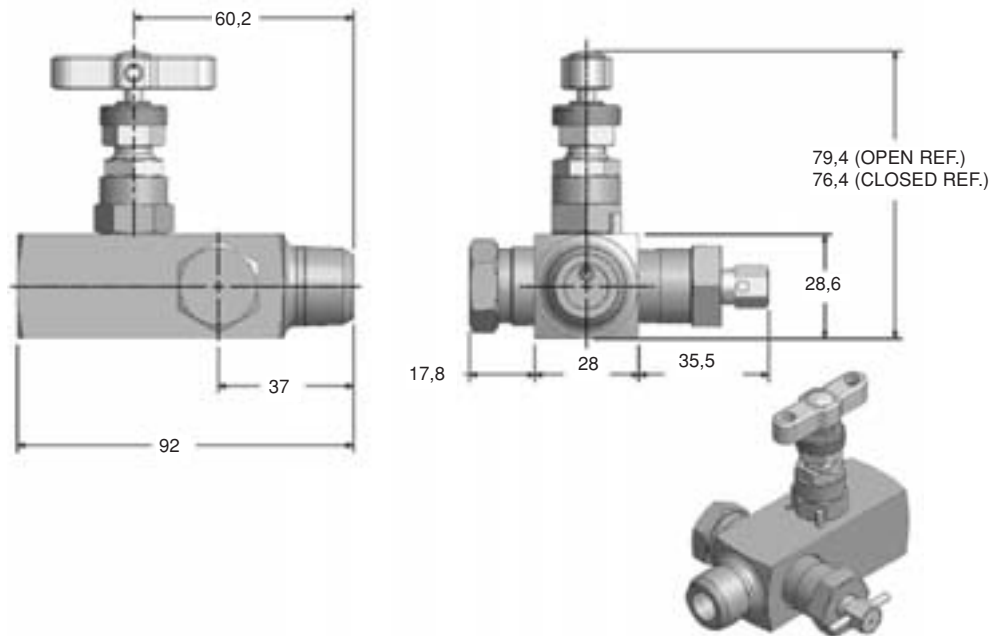
Notes :

- 1 : For 420 bar static pressure (differential pressure), and 500 bar (gauge pressure), M10 bolting is not suitable, please select 7/16 or M12.
- 2 : No bolting is necessary for this manifold type.
- 3 : When manifold is ordered mounted on the transmitter, hydrostatic pressure test and calibration are made with manifold, so complete set is tested.
- 4 : Manifold type HDS3M-FU is low cost version of type HDS3DTP-FU.
It's more compact but room for process connections is limited.
Take care of selecting connection devices which can be mounted in room left between the heads of bolts used to mount manifold on transmitter's process covers.

OUTLINE DIMENSIONS (unit : mm)

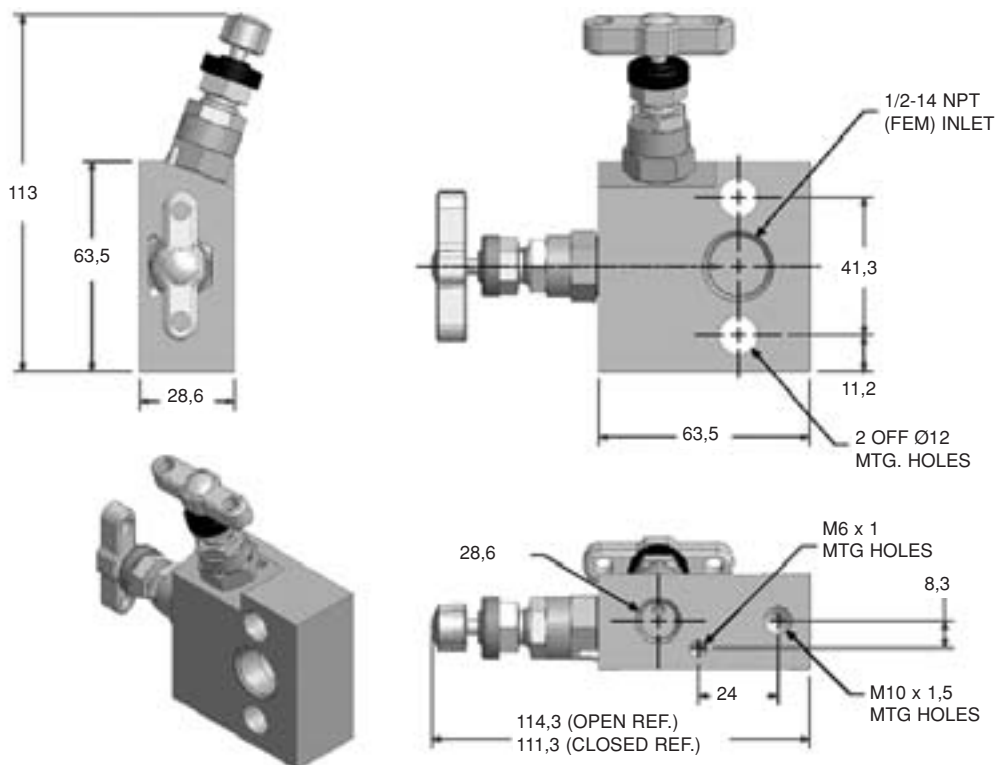
Type HGVS8F8M-FU - one valve manifold

Multiport one valve manifold, with separate vent or calibration facilities. Transmitter connection is 1/2" NPT male and process connection (customer side) is 1/2" NPT female. It can be direct mounted on FKP transmitter or via oval flange (1/2" NPT) on FCX-All transmitters. Maximum pressure : 414 bar or 6000 PSI



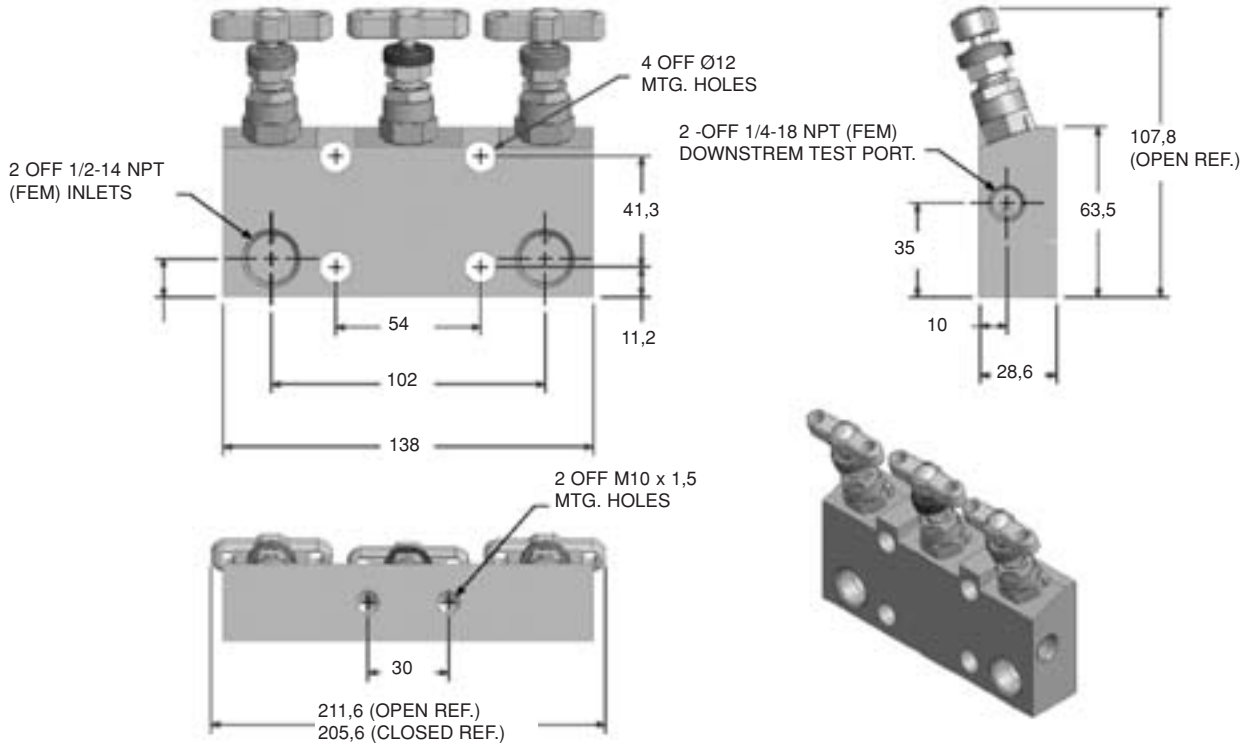
Type HDS2HLH-FU - two valve manifold

Direct mounted 2 valve manifold delivered with 2 bolts and one PTFE gasket. Both valves have the inlet and drain/vent connection on the mounting face and are suitable for all applications up to 414 bar or 6000 PSI. This manifold can be mounted on FCX-All gauge and absolute pressure transmitter. Process connection is 1/2" NPT female.



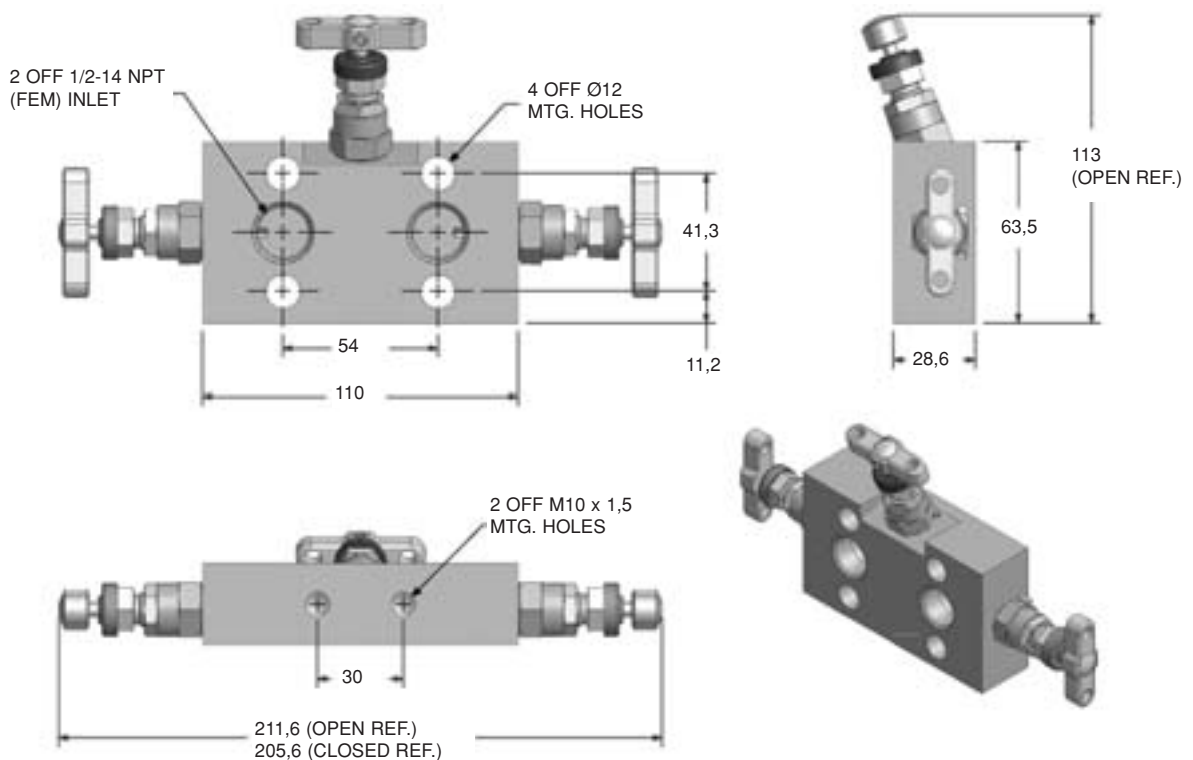
Type HDS3DTP-FU - tree valve manifold

Alternative solution for 3 valve manifold with some additional facilities like more space for the customer process connection and 2 additional plugged vent ports (1/4" NPT). The 3 valves are mounted in line on the top of the manifold body. Process connections are 1/2" NPT female at 102 mm centers; maximum pressure 414 bar or 6000 PSI. Supplied with 4 bolts and 2 PTFE gaskets.



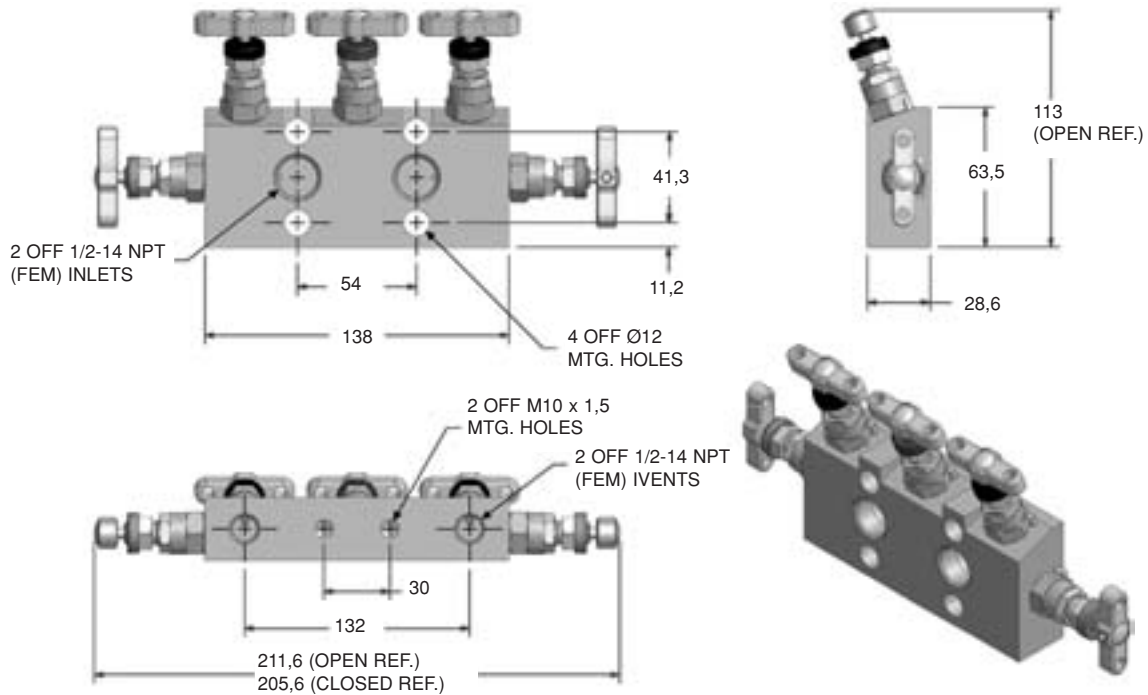
Type HDS3M-FU- tree valve manifold

This manifold type can be used on the differential pressure and flow transmitters on FCX-All/CII series. The 2 isolating valves (HP & LP side) are on the body ends of the manifold and the equalising valve on the top. Process connections are 1/2" NPT female at 54 mm (2" 1/8) centers. Maximum pressure 414 bar or 6000 PSI. Supplied with 4 bolts and 2 PTFE gaskets.



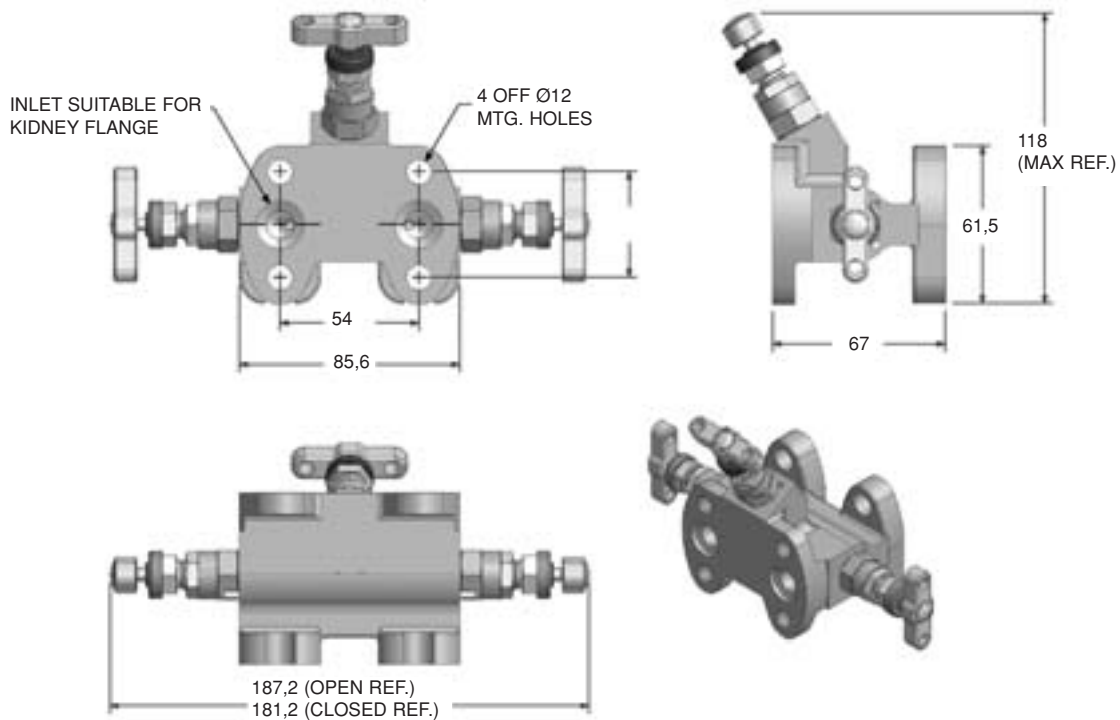
Type HDS5M-FU - five valve manifold

This manifold type is used on the differential and flow transmitters on FCX-All/CII series. It combines 2 isolating valves (HP & LP side) 2 drain/vent valves and one equalising valve. Suitable for applications up to 414 bar or 6000 PSI. Process connections are 1/2" NPT female at 54 mm or (2" 1/8) centers. Supplied with 4 bolts and 2 PTFE gaskets.



Type HGVS8F8M-FU

3 valves and flange/flange manifold used on the differential and flow transmitters on FCX-All/CII series. The 2 isolating valves (HP & LP side) are on the body ends of the manifold and the equalising valve on the top for applications up to 414 bar or 6000 PSI.



FUJI ELECTRIC FRANCE S.A

46, Rue Georges Besse - ZI du Brezet

63039 Clermont-Ferrand CEDEX 2 - FRANCE

Tel. : (33) 4 73 98 26 98 - Fax : (33) 4 73 98 26 99